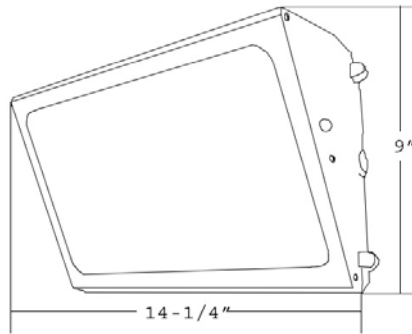


DIMENSIONS



Dimensions are subject to change. For critical applications, verify all dimensions with factory.

Die cast aluminum housing with integral hinging feature for ease of maintenance. Optional polycarbonate shield or wire guard for vandalproof protection is available. Textured anodized aluminum reflector designed in conjunction with diffuser for maximum efficiency. Threaded apertures for conduit and optional photocell provided for the flexibility during installation. Fully gasketed weather resistant construction. Lamping up to 150 watts.

HOUSING

Rugged die cast aluminum housing.

ELECTRICAL

For metal halide lamping ballast is high power factor, constant wattage auto transformer. Electrical components are mounted to cast aluminum housing for optimum heat dissipation. For high-pressure sodium, ballast is normal power factor reactor type for 120V. High power factor, multi-tap, and most fixed voltages available.

SHIELDING

Clear tempered glass is standard.

FINISH

Baked on premium architectural bronze for maximum durability is standard.

CERTIFICATION

All units bear UL and Made in U.S.A. labels. UL listed for wet and damp locations.

ORDERING



<u>MODEL</u>	<u>WATTAGE</u>	<u>TYPE</u>	<u>VOLTAGE</u>
WPE	50	PSMH-	120
	70	Pulse Start	277
	100	Metal Halide	480
	150		MULTI
	50	HPS-High	
	70	Pressure	
	100	Sodium	
	150		

OPTIONS:

- PC** – Photocell (Specify Voltage)
- VS** – Vandal Shield
- TP** – Tamperproof hardware
- GLR** – Fusing
- QZ** – Quartz Restrike
- WG** – Wire Guard
- CC**-Custom Color



JOB NAME:
FIXTURE TYPE:
MODEL NO: