

## Recessed LED Troffer

**D85PLED**

The D85PLED offers the look and feel of a fluorescent luminaire-subtle soft direct elements interest and depth across the ceiling plane with a contemporary look that blends with today's commercial spaces.

For recessed commercial applications such as offices, hospitals, schools etc. Suitable for use in standard 15/16' inverted T-Bar grid ceilings.

### Housing

Low profile troffer body with white enamel finish.

### LED Color

3500K or 4000K.

### Electrical

Driver suitable for 120v-277v operation. Available in 2 wattages to equal or exceed the output of conventional fluorescent lamps.

### Shielding

Unique composition provides a prismatic look. Specifically-formulated, frosted, prismatic acrylic lens provides a diffused luminance, with the effective combination of excellent light transmission and haze.

### Finish

Matte white, high reflectivity powder coat finish.

### Certification

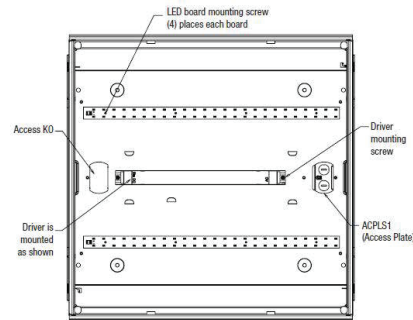
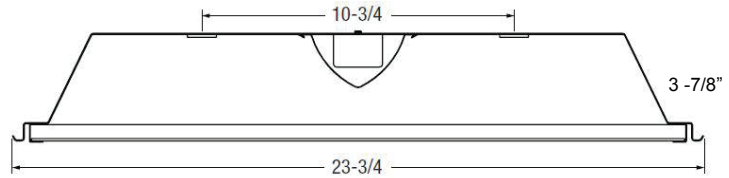
All units bear UL label. ARRA & BAA compliant. DLC approved.

1 year RLE warranty. 5 year or 50,000 hour manufacturer's warranty on LED's and drivers.

PROJECT	
FIXTURE	
FIXTURE	
APPROVED BY	DATE
NOTES	



Model	Size	Wattage	Voltage	Lumens	CRI
D85PLED	2x2 Unit	35W	UNV (120/277)	3267	85
D85PLED	2x4 Unit	52W	UNV (120/277)	5335	85



### Options

- DM** Dimming 0-10v
- EM** Emergency
- 20G** 20 Gauge

\*Dimensions are subject to change.  
For critical applications, please verify all dimensions with RLE.

recessed led

Ideal for T-Bar Ceilings